

ET3540 Precision Multiturn Wirewound Potentiometer

Features

Multiturn / Wirewound / Industrial

Metal shaft and bushings

Bushing mount

Available with shaft (6mm dia.)

Electrical Characteristics

Standard Resistance Range	100 to 100K ohms(see standard resistance table)
Resistance Tolerance	±5% std.
Independent Linearity	±0.25%
Effective Electrical Angle	3600° nom.
Absolute Minimum Resistance	0.2% or 3 ohms max.(whichever is greater)
Noise	100 ohms ENR max.
Insulation Resistance	500 vdc 1,000 megohms min.
Dielectric Withstanding Voltage	101.3 kPa 900 vac

Environmental Characteristics

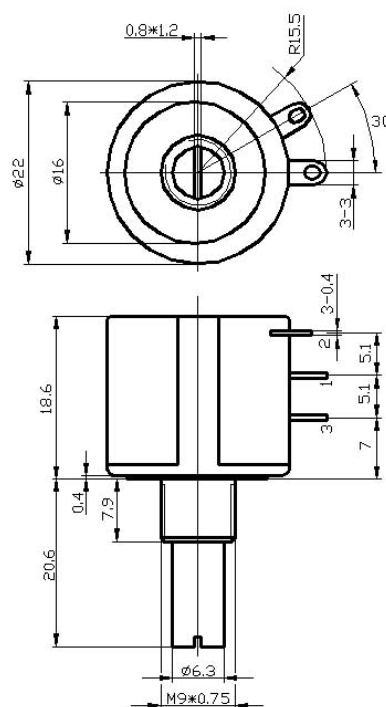
Power Rating (500 volts max.)	2 watt (70°C), 0 watt (125°C)
Temperature Range	-55°C to +125°C
Temperature Coefficient	±100ppm/°C
Vibration	98 m/s ² (1%Δ TR; 1%Δ VR)
Shock	490 m/s ² (1%Δ TR; 1%Δ VR)
Load Life	1,000 hours 2 watt @ 70°C (2%Δ TR)
Rotational Life	250,000 shaft revolutions (3%Δ TR)

Physical Characteristics

Torque	36 mN · m max.
Stop Strength	300 mN · m min.
Mechanical angle	3600° nom.
Standard Packaging	10 or 25 pcs. per box



Dimension



Resistance (Ohms)	Resistance Code
100	101
200	201
500	501
1,000	102
2,000	202
5,000	502
10,000	103
20,000	203
25,000	253
50,000	503
100,000	104

Special resistance available

How to order

ET3540---102

